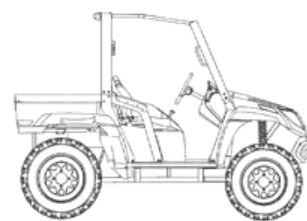


# Arctic Cat® UTV

## Installation Instructions - Accessory Kit

### Plow Kit (p/n 1436-173)



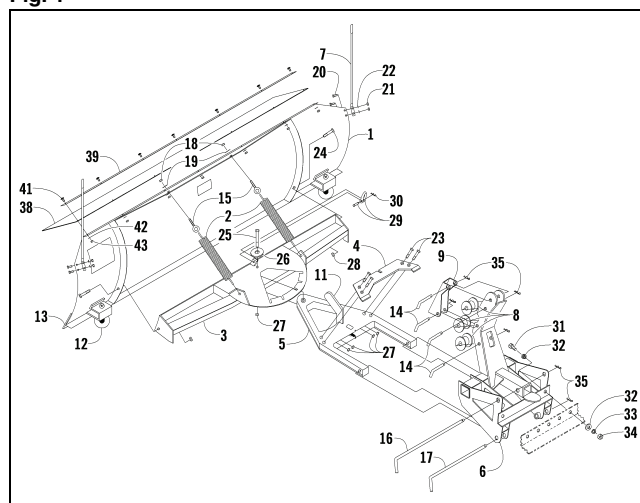
■ **NOTE:** Read these installation instructions thoroughly before beginning the installation process. It is recommended that this kit be installed by an authorized Arctic Cat UTV dealer. Retain these Installation Instructions for future reference.

■ **NOTE:** This kit requires either a winch or an electric actuator for lifting the plow blade.

#### Kit includes:

Ref. No.	p/n	QTY	DESCRIPTION
1	0541-493	1	Plow Moldboard Assembly
2	1441-457	2	Trip Spring (Plow)
3	0541-494	1	Trip Frame
4	0541-495	1	Angle Latch Bracket
5	0541-496	1	A-Frame Assembly
6	0541-710	1	Lift Frame
7	1441-458	1	Plow End Marker (Pair)
8	1441-792	3	Cable Idler Pulley
9	0541-498	1	Pulley Cable Guard
10	N/A	-	Not Illustrated
11	0541-499	1	Angle Latch Handle
12	1441-460	2	Skid Shoe
13	1441-461	1	Cutting Edge (72 x 1/4 x 6 in.)
14	1441-462	4	Quick Release Pin (1/2 x 2 3/4 in.)
15	0423-683	2	Eye Bolt (3/8-16 x 2 1/2 in.)
16	1441-463	1	Quick Release Pin (5/8 x 19 in.)
17	1441-464	1	Quick Release Pin (5/8 x 14 3/4 in.)
18	8040-486	2	Self-Locking Hex Nut (3/8-16)
19	8050-282	2	Flat Washer (3/8 in.)
20	8002-132	4	Cap Screw (5/16-18 x 1.0 in.)
21	8042-422	4	Nyloc Nut (5/16-18)
22	8051-246	4	Lock Washer (0.318 x 0.596 x 0.097 in.)
23	8014-405	4	Cap Screw (1/2-20 x 1 1/2 in.)
24	8002-409	2	Cap Screw (1/2-13 x 2 1/2 in.)
25	8014-413	1	Cap Screw (1/2-20 x 3 1/2 in.)
26	8050-344	1	Flat Washer (1/2 in.)
27	8047-636	5	Flange Nyloc Nut (1/2-20)
28	8040-606	2	Self-Locking Hex Nut (1/2-13)
29	1441-465	1	Clevis
30	1441-466	1	Clevis Pin (3/32 in.)
31	8002-225	2	Cap Screw (3/8-16 x 1 1/2 in.)
32	0423-684	4	Bushing Washer (Frame)
33	8051-276	2	Lock Washer (0.382 x 0.691 x 0.115 in.)
34	8042-486	2	Hex Nut (3/8-16)
35	1441-467	6	Clevis Pin (1/8 in.)
36 & 37	N/A	-	Not Illustrated
38	1441-468	1	Snow Deflector - Rubber (72 in.)
39	0541-500	1	Snow Deflector Strap (72 in.)
40	N/A	-	Not Illustrated
41	8011-135	7	Carriage Bolt (5/16-18 x 1 1/2 in.)
42	8050-254	7	Flat Washer (5/16 in.)
43	8040-426	7	Self-Locking Hex Nut (5/16-18)
	0453-528	1	Instructions

Fig. 1

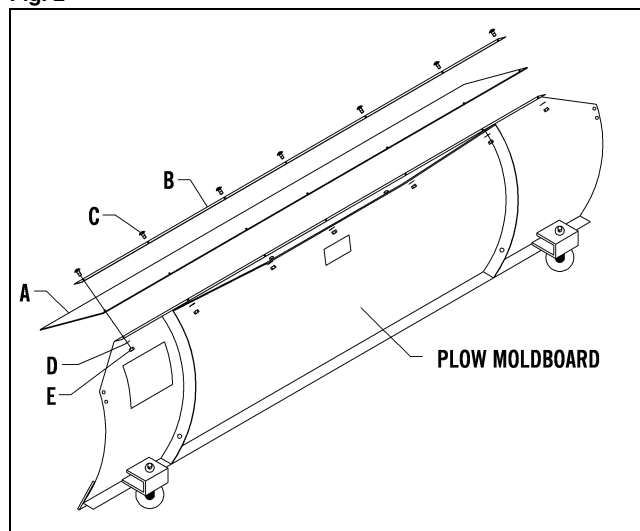


0743-167

### Installing Snow Deflector and Snow Deflector Strap

1. Place Rubber Snow Deflector (A) onto the top edge of the plow moldboard aligning the mounting holes with the holes in the moldboard. See Fig. 2.

Fig. 2



0743-192

2. Place Snow Deflector Strap (B) on top of the deflector and secure with Carriage Bolts (5/16-18 x 1 1/2 in.) (C), Flat Washers (5/16 in.) (D), and Nyloc Nuts (5/16-18) (E).

3. Tighten nuts enough to securely hold the snow deflector in place.

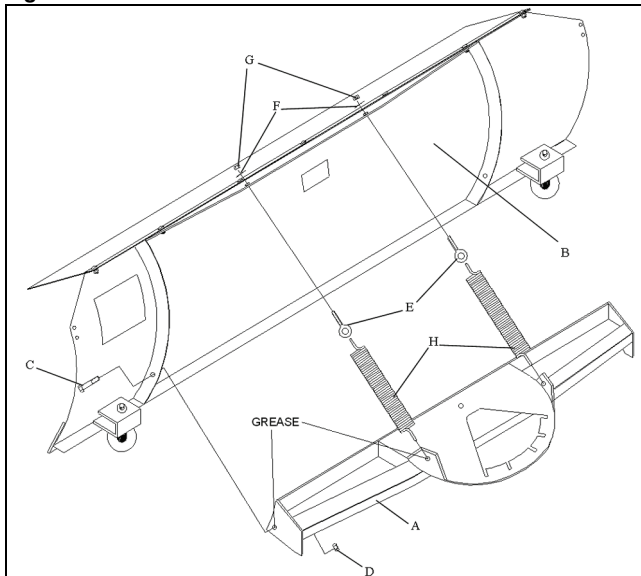
**CAUTION**

Do not over-tighten the lock nuts. Damage to the deflector may occur.

### Installing Trip Frame onto Plow Blade

1. Apply grease to the pivot holes and to the end plates on Trip Frame (A). Place the trip frame between the two ribs on the backside of Plow Moldboard (B) aligning the mounting holes in the end plates of the trip frame with the mounting holes in the ribs. Secure the trip frame to the moldboard using Cap Screws (1/2-13 x 2 1/2 in.) (C) and Nyloc Nuts (1/2 in.) (D). Tighten the lock nuts enough to securely hold the plow moldboard while still allowing the two components to pivot freely. See Fig. 3.

Fig. 3

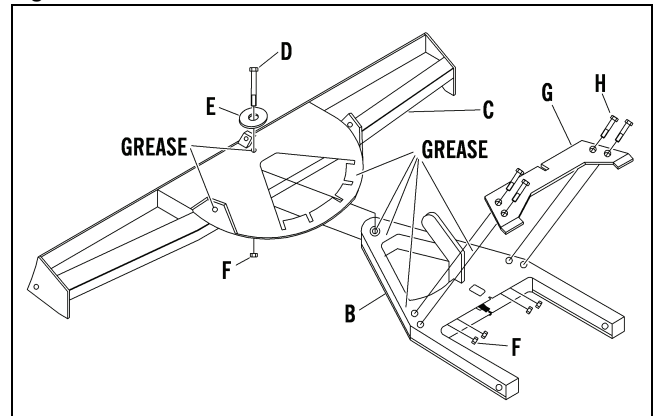


2. Insert the threaded end of each Eye Bolt (3/8-16 x 2 1/2 in.) (E) up through the two mounting holes in the rear top edge of the plow moldboard. Install Flat Washer (3/8 in.) (F) and Hex Nut (3/8-16) (G) onto each eye bolt.
3. Hook one end of each Trip Spring (H) to the tabs on top of the trip frame. Hook the opposite end of each trip spring to the ends of the eye bolts. Tighten the lock nuts on the eye bolts until the coils of the trip springs begin to separate.

### Installing A-Frame onto Trip Frame

1. Apply grease to the front pivot hole on A-Frame Assembly (B) and to the areas that will contact trip frame (C). Insert the Angle Latch Handle up through the large triangular cutout in the trip frame; then rotate the tip of the A-frame into position between the upper and lower plates aligning the front pivot hole with the pivot holes in the trip frame. Secure the trip frame to the A-frame with Cap Screw (1/2-20 x 3 1/2 in.) (D), Flat Washer (1/2 in.) (E), and Flange Nyloc Nut (1/2-20) (F). Tighten the lock nut enough to securely hold the A-frame to the trip frame while still allowing the two components to pivot freely. See Fig 4.

Fig. 4



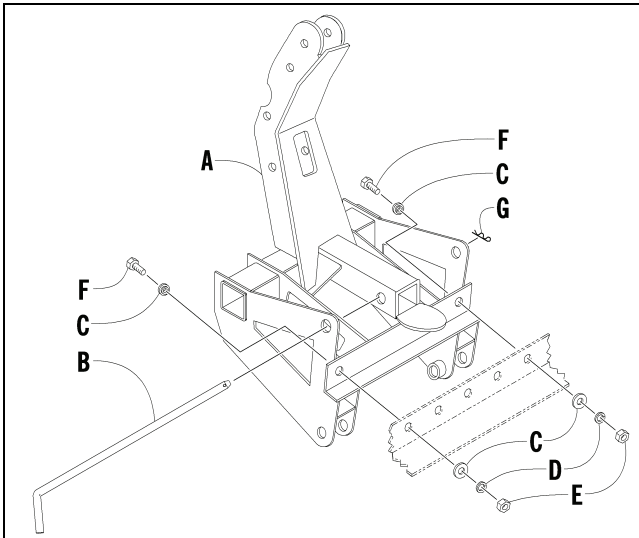
2. Apply grease to the underside of Angle Latch Bracket (G) in the area where it will contact the trip frame. Position the bracket with the bushings facing downward and aligning the four mounting holes with the mounting holes in the top of the A-frame. Secure the bracket to the A-frame with four Cap Screws (1/2-20 x 1 1/2 in.) (H) and Flange Nyloc Nuts (1/2-20) (F). Tighten to 75 ft-lb.

■ **NOTE:** While tightening the lock nuts, make sure the angle latch moves freely and the A-frame pivots in both directions.

### Installing Lift Frame onto Vehicle

1. Make sure the front receiver on the vehicle is free of dirt and debris; then insert the guide tab on the end of the 2 x 2 in. frame tube on Lift Frame (A) into the front receiver on the vehicle making sure the upper pin holes in the outer side plates align with the holes in the outer vertical frame tubes on the vehicle. See Fig. 5.

Fig. 5



0743-168

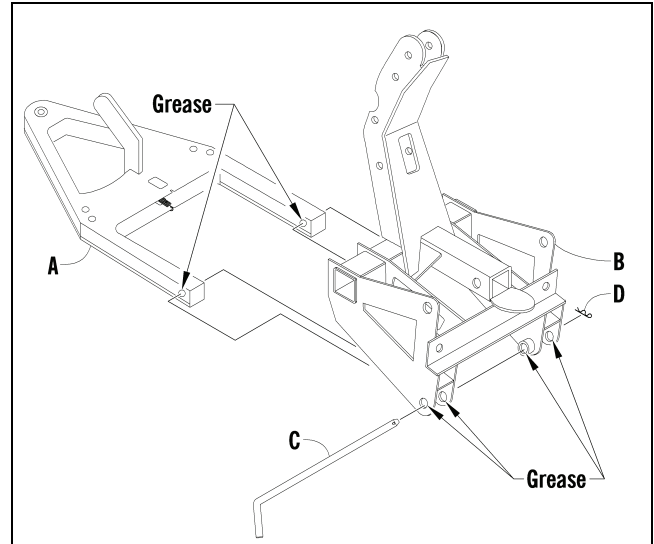
■ **NOTE:** If the lift frame is not completely seated into the receiver, the mounting holes may not align properly and inserting Quick Release Pin may be difficult.

2. Insert Quick Release Pin (5/8 x 19 in.) (B) through the left-side mounting side plate, left frame tube, and right-side mounting side plate. Secure with Clevis Pin (G).
3. Place Frame Bushing Washer (C) onto each Cap Screw (3/8-16 x 1 1/2 in.) (F); then insert each cap screw through the mounting holes in the rear angle of the lift frame and the mounting holes in the front cross member of the vehicle frame. Loosely secure each cap screw using additional frame bushing washers (C), Lock Washers (3/8 in.) (D), and Hex Nuts (3/8-16) (E).
4. Making sure that all four frame bushing washers are seated in the holes in the rear angle of the lift frame and in the front cross member, tighten the nuts to 31 ft-lb.

### Installing A-Frame onto Lift Frame

1. Apply grease to the pivot holes in the rear arms of the A-frame and to the pivot holes in the tabs under the lift frame.
2. Place the rear arms of the A-frame between the tabs under the lift frame; then insert Quick Release Pin (5/8 x 14 3/4 in.) (C) through the mounting holes in the tabs and rear arms. Secure the quick release pin with Clevis Pin (1/8 in.) (D). See Fig. 6.

Fig. 6



0743-169

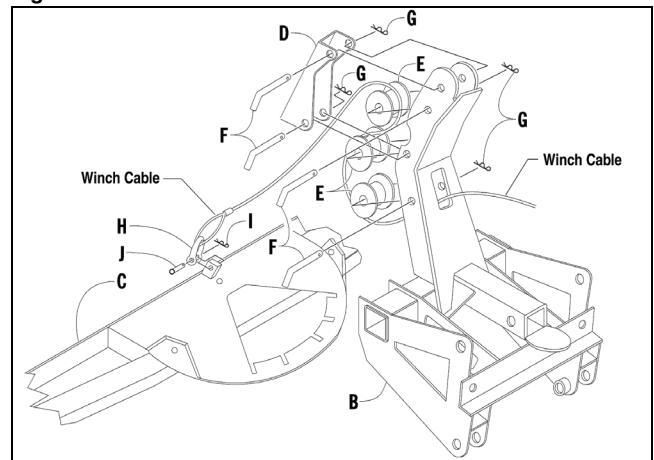
### Installing Cable Idler Pulleys, Pulley Cable Guard, and Cable

■ **NOTE:** If an actuator will be used to lift the plow blade, install Electric Actuator Kit (p/n 0436-829) at this point. Install the actuator per instructions included in the kit and proceed to Installing Plow End Marker.

1. Apply grease to the mounting hole in each Cable Idler Pulley (E) and to the three Quick Release Pins (1/2 x 2 3/4 in.) (F). Place the pulleys between the vertical plates on the lift frame (the top pulley at the second set of mounting holes from the top and the lowest pulley at the lowest set of holes) aligning the holes in the pulleys with the holes in the plates; then secure the pulleys with the quick release pins and Clevis Pins (1/8 in.) (G). See Fig. 7.

■ **NOTE:** It is advisable at this time to attach the lower holes of the Pulley Cable Guard (D) with the middle idler pulley on the lift frame.

Fig. 7



0743-170A

- Remove and retain the hook from the winch cable.

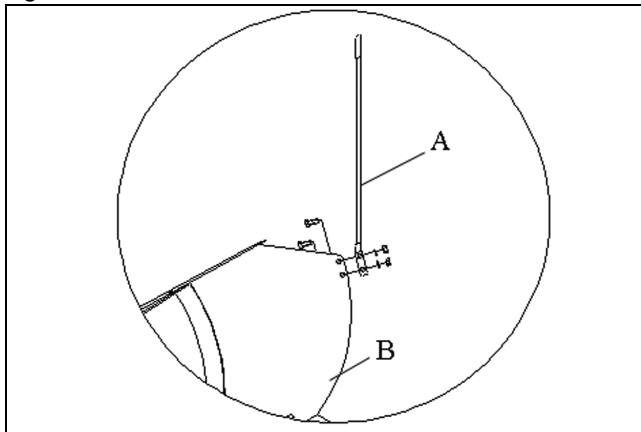
■ **NOTE: The winch hook will not be used with the plow.**

- Route the end of the winch cable through the backing plate slot under lower idler pulley, over front of middle idler pulley, over the top of the upper idler pulley, and under the quick release pin. Continue routing the cable to the bracket in front of the pivot bolt on the trip frame.
- Secure the winch cable to the bracket with Clevis (H), Clevis Pin (J), and Clevis Pin (I).
- Secure the pulley cable guard over the vertical plates on the lift frame using the remaining quick release pin and clevis pin.

### Installing Plow End Marker

- Secure Plow End Marker (A) to the right-side end of the plow using hardware supplied with the marker. Tighten securely. See Fig. 8.

Fig. 8



OHUV-015

- Repeat for left-side end of the plow.

## Operating Instructions

### NEVER

- Operate the plow near pets or people
- Leave the vehicle running unattended with the plow attached
- Plow or carry plow at high speeds
- Clean or perform maintenance with the plow raised
- Clean or service vehicle with the plow in a "tripped" position
- Dislodge any obstruction with any part of the plow
- Transport or plow with broken/missing parts or components

### ALWAYS

- Familiarize yourself with the area to be plowed
- Verify that the plow is attached securely
- Travel at a safe speed with the plow attached

### **WARNING**

**Do not attempt to install or operate this plow until you have read and understood the Operating Instructions included with this kit. Failure to read all instructions could lead to serious injury or death.**

### Maintenance

- Check and tighten all fasteners on the plow assembly and on the vehicle mounting after initial use and every 5 hours of use thereafter
- After every 10 hours of use, lubricate all pivot bolts, pins, and any other moving parts on the plow assembly with low temperature grease
- Periodically coat the front plowing surface of the moldboard and snow deflector with a coating of automobile wax or silicon spray lubricant to prevent snow from sticking
- If a winch cable is being used to lift the plow, check the winch cable for kinks and/or fraying after every use
- Periodically inspect the blade shoes to see if they need to be adjusted

